

# WP T A

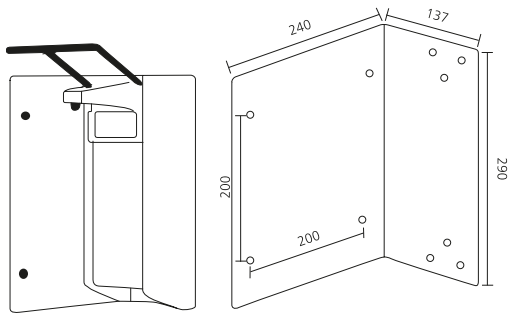
Robust bracket solution for hand hygiene dispenser

Art.-No. 290200



**OPHARDT HYGIENE-TECHNIK GmbH + Co. KG**  
Lindenau 27 | 47611 Issum | Germany  
Tel.: +49 (0) 28 35 18-10 | Fax +49 (0) 28 35 18-77  
planer@ophardt.com | www.ophardt.com

## WP T A



Maße in mm - Dimensions in mm



### References

hospitals, clinics, retirement/care homes, dental practices

### Usage examples

Passage area, entrance area, Intensive care units, dialysis stations, surgery areas, nursing and examination rooms, clean room, therapy rooms

### Technical data

Housing:	Aluminium, matte silver anodized
Filling volume (ml):	1000 ml
Mounting:	mounting of the dispenser in parallel to the wall
Warranty:	2 years
Dimensions (W x H x D) in mm:	240x290x143