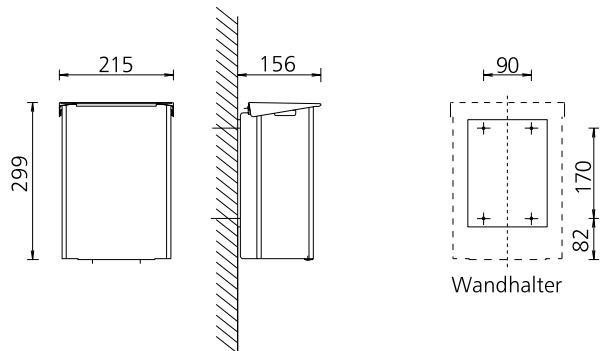


# AB 6 A

Compact waste bin for wall mounting or stand alone  
Art. No. 231000

## AB 6



Maße in mm - Dimensions in mm



### References

hospitals, clinics, retirement/care homes, dental practices, restaurants, laboratories, rehabilitation facilities, administration facilities

### Usage examples

toilets, washrooms, nursing and examination rooms

### Technical data

Waste bin type:	enclosed waste bin
Housing:	Aluminium, matte silver anodized
Filling volume (liter):	6 liter
Hygienic bag type:	without bag
Mounting:	Wall mounting with 4 screws and wall plugs
Cleaning:	manual wipe disinfection, not dishwashersafe, not autoclavable
Warranty:	5 years
Net weight:	1.175 kg
Dimensions (W x H x D) in mm:	215x299x156