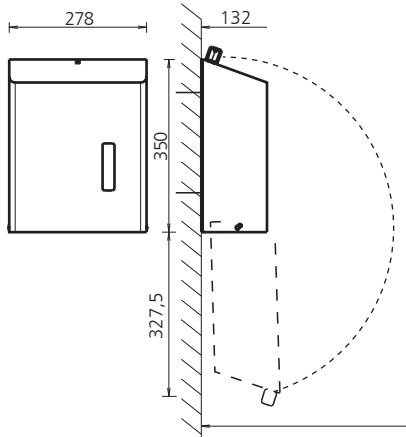


### HSU 31

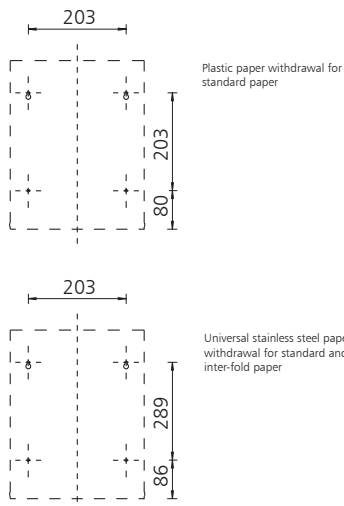
Paper towel dispenser for standard folded and/or interfold paper towels, stainless steel (AFP) or powder-coated, approx. 500-600 sheets



HSU 31



Hole pattern



Dimensions (approx.) in mm

#### Product characteristics

- ▶ Dispenser for recycled paper towels
- ▶ Capacity approx. 500-600 sheets
- ▶ Compatible with all standard types of folding (note dispensing versions)
- ▶ High-quality and robust stainless steel housing
- ▶ Plastic lock with anti-vandalism function
- ▶ Hygienic removal – hand contact only with the paper towel
- ▶ 3 different dispensing systems available – standard plastic withdrawal unit (layerfold [C-fold], V-fold [single fold]), plastic inter-fold withdrawal (M-fold, Z-fold, interfold), stainless steel withdrawal (layerfold, V-fold, M-fold, Z-fold)
- ▶ Easily filled from above
- ▶ Open without wall contact
- ▶ Viewing window for monitoring filling level
- ▶ Incl. mounting kit for four-point wall mounting

#### Interesting information

References:

- ▶ Conference centres, exhibitions, airports, train stations, catering, retirement/care homes, hospitals, laboratories, commercial kitchen, food processing, industry, shopping centres, hotels, correctional facilities, schools, kindergartens, sports centres, administration facilities

Application examples:

- ▶ Washrooms, toilets, baths, care and examination rooms, kitchens, production facilities, entrance areas

#### Technical data

- Housing: Stainless steel AISI 304, brushed with Anti-Fingerprint-Coating (AFP), powder-coated white (RAL 9010) or powder-coated matte black (RAL 9005)
- Viewing window: Transparent plastic
- Lock: Vandalism-proof lock, plastic
- Wall mounting: Wall mounting with 4 screws and wall plugs

Description for tender - see overleaf

HSU 31/0121/2.0



Subject to technical modifications.  
Product compatibility testing required before  
new filling materials are used!



OPHARDT HYGIENE-TECHNIK GmbH + Co. KG  
Lindenau 27 | 47661 Issum | Germany  
Tel.: +49 (0) 28 35 18-10 | Fax +49 (0) 28 35 18-77  
planer@ophardt.com | www.ophardt.com

# HSU 31

Paper towel dispenser for standard folded and/or interfold paper towels, stainless steel (AFP) or powder-coated, approx. 500-600 sheets

## Description for tender

**SanTRAL® Classic HSU 31 E Steel Touch (ST)**  
**Art. No. 386900**

... Pcs. Paper towel dispenser for standard folded paper towels, approx. 500-600 sheets, brushed stainless steel housing with Ophardt Hygiene Anti-Fingerprint-Coating (AFP), stainless steel back plate, plastic paper withdrawal, paper tilt safeguard, with vandalism-proof lock, viewing window for monitoring filling level, free choice of manufacturers for refill materials, housing with sloped lid to prevent foreign objects being placed on the dispenser  
Dimensions: W 278 x H 350 x D 132 mm

**SanTRAL® Classic HSU 31 E Steel Touch (ST)**  
**Interfold Art. No. 1416824**

... Pcs. Paper towel dispenser for interfold paper towels, approx. 500-600 sheets, brushed stainless steel housing with Ophardt Hygiene Anti-Fingerprint-Coating (AFP), stainless steel back plate, plastic paper withdrawal, paper tilt safeguard, adjustable steps and rounded edges for better removal of the paper towels, with vandalism-proof lock, viewing window for monitoring filling level, free choice of manufacturers for refill materials, housing with sloped lid to prevent foreign objects being placed on the dispenser  
Dimensions: W 278 x H 350 x D 132 mm

**SanTRAL® Classic HSU 31 E Steel Touch (ST)**  
**with stainless steel withdrawal**  
**Art. No. 1417719**

... Pcs. Paper towel dispenser for standard folded and interfolded paper towels, approx. 500-600 sheets, brushed stainless steel housing with Ophardt Hygiene Anti-Fingerprint-Coating (AFP), stainless steel back plate, stainless steel paper withdrawal, paper tilt safeguard, with vandalism-proof lock, viewing window for monitoring filling level, free choice of manufacturers for refill materials, housing with sloped lid to prevent foreign objects being placed on the dispenser  
Dimensions: W 278 x H 350 x D 132 mm

## Additional models:

### with standard plastic withdrawal:

HSU 31 P Ivory White (IW), white RAL 9010 Art. No. 196400  
HSU 31 P Midnight (MN), matte black RAL 9005 Art. No. 1422256

### with interfold plastic withdrawal:

HSU 31 P Ivory White (IW) Interfold Art. No. 1416826  
HSU 31 P Midnight (MN) Interfold Art. No. 1422869

### with universal stainless steel withdrawal:

HSU 31 P Ivory White (IW) stainless steel withdrawal Art. No. 1417720  
HSU 31 P Midnight (MN) stainless steel withdrawal Art. No. 1422870

## Additional RAL Classic colours available upon request.

Product: **SanTRAL® Classic**  
Manufacturer: OPHARDT HYGIENE-TECHNIK GmbH + Co. KG