

WPR T

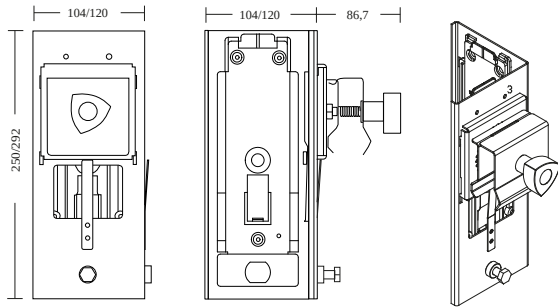
Dispenser bracket for round frame (e.g. patient bed)

Art.-No. 1418934



OPHARDT HYGIENE-TECHNIK GmbH + Co. KG
Lindenau 27 | 47611 Issum | Germany
Tel.: +49 (0) 28 35 18-10 | Fax +49 (0) 28 35 18-77
planer@ophardt.com | www.ophardt.com

WPR



Maße in mm - Dimensions in mm



References

hospitals, clinics, retirement/care homes, dental practices

Usage examples

Intensive care units, dialysis stations, surgery areas, nursing and examination rooms, therapy rooms

Technical data

Housing:	Stainless steel, brushed
Filling volume (ml):	1000 ml
Wall bracket:	Standard ingo-man® plastic wall plate
Mounting:	parallel mounting on the round frame at the Point-of-Care
Cleaning:	manual wipe disinfection
Warranty:	2 years
Dimensions (W x H x D) in mm:	120x292x207