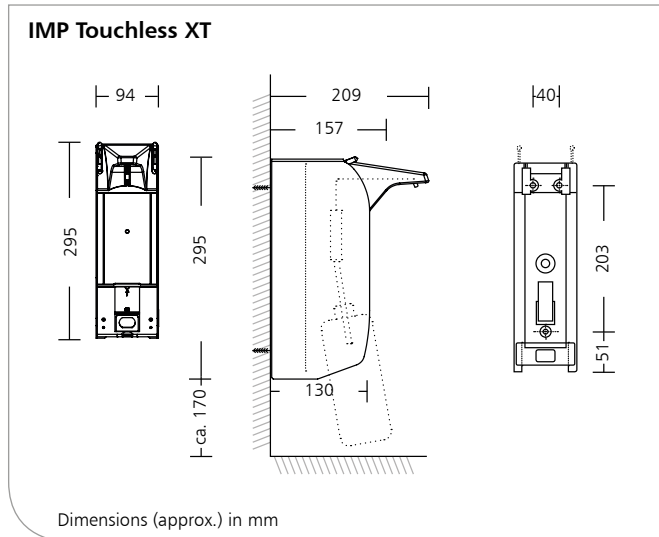


IMP Touchless XT

Soap-/disinfectant dispenser for disposable bottles as well as refillable containers and hygiene packages, aluminium or stainless steel housing, touchless operation, with extendable emergency lever, 500 ml or 1000 ml



Product characteristics

- ▶ Touchless dispenser for alcoholic hand disinfectants, liquid soaps, lotions, etc.
- ▶ For 500 ml or 1000 ml disposable bottles as well as refillable containers and hygiene packages
- ▶ With lowering emergency operating lever
- ▶ Pivoting face shield for simple pump replacement from the front without having to remove the dispenser from the wall
- ▶ Incl. mounting kit for four-point wall mounting

Interesting information

References: ▶ Clinics, doctors' practices, health and care facilities, laboratories, rescue stations, commercial kitchens, foodstuffs industry

Application examples:

- ▶ Particularly well suited to areas where hand hygiene is critical and in medical and food processing areas

Technical data

- Housing: Aluminium, anodised matt silver or brushed stainless steel
- Dosing pump: DHP disposable hygiene pump, made with recyclable plastic (standard pump, for other pumps see overleaf)
- Dispensing quantity: 1.5 ml/stroke (depending on the viscosity of the filling material)
- Emergency operating lever: Stainless steel, extendable
- Wall mounting: Wall mounting with 4 screws and wall plugs
- Batteries: 5 type 'D' single-cell

Description for tender - see overleaf

IMP Touchless XT/0420/2



Subject to technical modifications.
Tests are required before new filling materials are used!



OPHARDT HYGIENE-TECHNIK GmbH + Co. KG
Lindenau 27 | 47661 Issum | Germany
Tel.: +49 (0) 28 35 18-10 | Fax +49 (0) 28 35 18-77
planer@ophardt.com | www.ophardt.com

IMP Touchless XT

Soap-/disinfectant dispenser for disposable bottles as well as refillable containers and hygiene packages, aluminium or stainless steel housing, touchless operation, with extendable emergency lever, 500 ml or 1000 ml

Description for tender

... Pcs. **ingo-man® plus IMP T A DHP Touchless XT Art. No. 4402160**
Soap-/disinfectant dispenser, 1000 ml, suitable for standard disposable bottles, refillable containers and hygiene packages, matt silver anodised aluminium housing, incl. 5 alkaline "D" batteries, lowering stainless steel emergency operating lever, touchless, 2 proximity sensors, triggering of the pump mechanism from above and below the pump outlet, recyclable disposable pump, plastic, easy pump replacement through front removal
Dimensions: W 94 x H 295 x D 209 mm

... Pcs. **ingo-man® plus IMP T A Touchless XT Art. No. 4400726**
Soap-/disinfectant dispenser, 1000 ml, suitable for standard disposable bottles, refillable containers and hygiene packages, matt silver anodised aluminium housing, incl. empty bottle and 5 alkaline "D" batteries, lowering stainless steel emergency operating lever, touchless, 2 proximity sensors, triggering of the pump mechanism from above and below the pump outlet, autoclavable and dishwasher-safe, replaceable stainless steel pump, easy pump replacement through front removal
Dimensions: W 94 x H 295 x D 209 mm

... Pcs. **ingo-man® plus IMP E A DHP Touchless XT Art. No. 4402156**
Soap-/disinfectant dispenser, 500 ml, suitable for standard disposable bottles, refillable containers and hygiene packages, matt silver anodised aluminium housing, incl. 5 alkaline "D" batteries, lowering stainless steel emergency operating lever, touchless, 2 proximity sensors, triggering of the pump mechanism from above and below the pump outlet, recyclable disposable pump, plastic, easy pump replacement through front removal
Dimensions: W 94 x H 295 x D 209 mm

... Pcs. **ingo-man® plus IMP E A Touchless XT Art. No. 4400727**
Soap-/disinfectant dispenser, 500 ml, suitable for standard disposable bottles, refillable containers and hygiene packages, matt silver anodised aluminium housing, incl. empty bottle and 5 alkaline "D" batteries, lowering stainless steel emergency operating lever, touchless, 2 proximity sensors, triggering of the pump mechanism from above and below the pump outlet, autoclavable and dishwasher-safe, replaceable stainless steel pump, easy pump replacement through front removal
Dimensions: W 94 x H 295 x D 209 mm

ingo-man® plus IMP T E DHP Touchless XT Art. No. 4402162

... Pcs. Soap-/disinfectant dispenser, 1000 ml, suitable for standard disposable bottles, refillable containers and hygiene packages, brushed stainless steel housing, incl. 5 alkaline "D" batteries, lowering stainless steel emergency operating lever, touchless, 2 proximity sensors, triggering of the pump mechanism from above and below the pump outlet, recyclable disposable pump, plastic, easy pump replacement through front removal
Dimensions: W 94 x H 295 x D 209 mm

ingo-man® plus IMP T E Touchless XT Art. No. 4400904

... Pcs. Soap-/disinfectant dispenser, 1000 ml, suitable for standard disposable bottles, refillable containers and hygiene packages, brushed stainless steel housing, incl. empty bottle and 5 alkaline "D" batteries, lowering stainless steel emergency operating lever, touchless, 2 proximity sensors, triggering of the pump mechanism from above and below the pump outlet, autoclavable and dishwasher-safe, replaceable stainless steel pump, easy pump replacement through front removal
Dimensions: W 94 x H 295 x D 209 mm

ingo-man® plus IMP E E DHP Touchless XT Art. No. 4402158

... Pcs. Soap-/disinfectant dispenser, 500 ml, suitable for standard disposable bottles, refillable containers and hygiene packages, brushed stainless steel housing, incl. 5 alkaline "D" batteries, lowering stainless steel emergency operating lever, touchless, 2 proximity sensors, triggering of the pump mechanism from above and below the pump outlet, recyclable disposable pump, plastic, easy pump replacement through front removal
Dimensions: W 94 x H 295 x D 209 mm

ingo-man® plus IMP E E Touchless XT Art. No. 4400903

... Pcs. Soap-/disinfectant dispenser, 500 ml, suitable for standard disposable bottles, refillable containers and hygiene packages, brushed stainless steel housing, incl. empty bottle and 5 alkaline "D" batteries, lowering stainless steel emergency operating lever, touchless, 2 proximity sensors, triggering of the pump mechanism from above and below the pump outlet, autoclavable and dishwasher-safe, replaceable stainless steel pump, easy pump replacement through front removal
Dimensions: W 94 x H 295 x D 209 mm

Product:
Manufacturer:

ingo-man® plus
OPHARDT HYGIENE-TECHNIK GmbH + Co. KG