

# disinfection point E ST

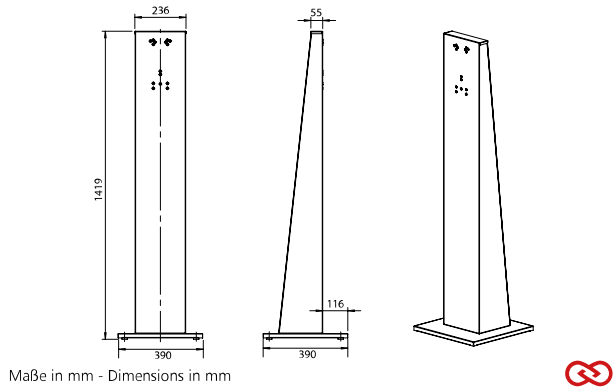
Hygiene stand for effective hand disinfection

Art.-No. 1419273

 **OPHARDT**  
HYGIENE

**OPHARDT HYGIENE-TECHNIK GmbH + Co. KG**  
Lindenau 27 | 47611 Issum | Germany  
Tel.: +49 (0) 28 35 18-10 | Fax +49 (0) 28 35 18-77  
planer@ophardt.com | www.ophardt.com

## Desinfektionssäule



## References

shopping centres, conference centres, hospitals, clinics, retirement/care homes, dental practices, commercial kitchen, food processing areas, laboratories, rescue stations, administration facilities

## Usage examples

entrance area, reception

## Technical data

Type of disinfection stand:	robust disinfection stand
Housing:	Stainless steel, brushed with Anti-Fingerprint-Coating (Steel Touch)
with wheels:	No
Warranty:	5 years
Dimensions (W x H x D) in mm:	400x1413x400