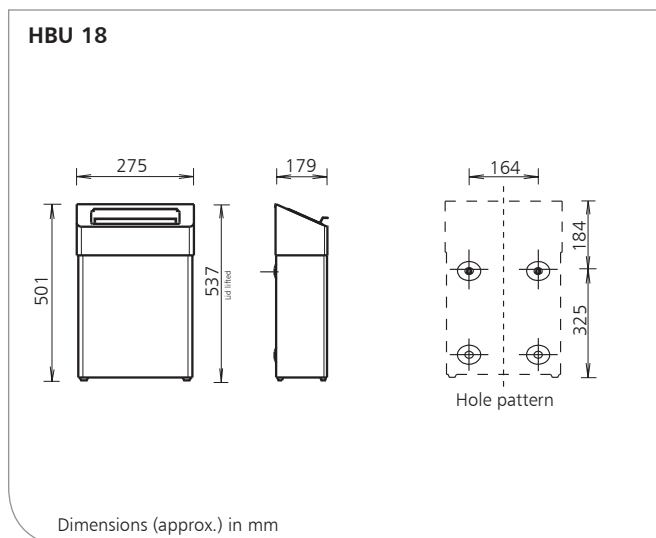
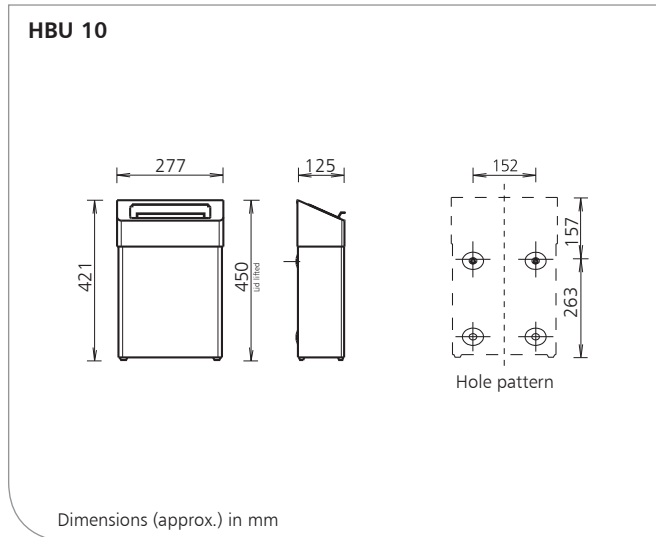


HBU 10 - HBU 18

Hygienic waste bin with compartmentalised lid with internal bag holder, stainless steel (AFP) or powder-coated, 10 liter or 18 liter



Product characteristics

- ▶ Hygienic waste bin with internal bag holder for hidden fastening of the waste bag
- ▶ With self-closing, maintenance-free hygiene compartmentalised lid for discrete disposal of used feminine hygiene articles without being able to see the interior of the container
- ▶ HBU 18 also suitable for the disposal of baby and adult nappies
- ▶ Housing with sloping lid to prevent foreign objects being placed on the dispenser
- ▶ Hygienic and easy-to-clean handle
- ▶ High-quality and robust stainless steel housing
- ▶ For wall-mounting or free-standing
- ▶ Head section can be removed to replace the waste bag
- ▶ Incl. mounting kit for two-point wall mounting

Interesting information

References:

- ▶ Conference centres, exhibitions, airports, train stations, catering, retirement/care homes, hospitals, laboratories, commercial kitchen, food processing, industry, shopping centres, hotels, correctional facilities, schools, kindergartens, sports centres, administration facilities

Application examples:

- ▶ Washrooms, toilets, baths, care and examination rooms, kitchens, entrance areas

Technical data HBU 10

| | |
|----------------|---|
| Housing: | Stainless steel AISI 304, brushed with Anti-Fingerprint-Coating (AFP), powder-coated white (RAL 9010) or powder-coated matte black (RAL 9005) |
| Mounting: | With two wall plugs and stainless steel screws |
| Capacity: | 10 liter |
| Wall mounting: | Wall mounting with 2 screws and wall plugs |
| Weight: | 3,050 kg |

Technical data HBU 18

| | |
|----------------|---|
| Housing: | Stainless steel AISI 304, brushed with Anti-Fingerprint-Coating (AFP), powder-coated white (RAL 9010) or powder-coated matte black (RAL 9005) |
| Mounting: | With two wall plugs and stainless steel screws |
| Capacity: | 18 liter |
| Wall mounting: | Wall mounting with 2 screws and wall plugs |
| Weight: | 4,350 kg |

Description for tender - see overleaf

HBU 10 - HBU 18/012/1/2.0



Subject to technical modifications.



OPHARDT HYGIENE-TECHNIK GmbH + Co. KG
 Lindenau 27 | 47661 Issum | Germany
 Tel.: +49 (0) 28 35 18-10 | Fax +49 (0) 28 35 18-77
 planer@ophardt.com | www.ophardt.com

HBU 10 - HBU 18

Hygienic waste bin with compartmentalised lid with internal bag holder, stainless steel (AFP) or powder-coated, 10 liter or 18 liter

Description for tender HBU 10

SanTRAL® Classic HBU 10 E Steel Touch (ST)
Art. No. 1413344

. . . Pcs. Hygienic waste bin, 10 liter,
brushed stainless steel with Ophardt Hygiene
Anti-Fingerprint-Coating (AFP),
internal bag holder,
compartmentalised stainless steel lid,
for wall-mounting and free-standing
Dimensions: W 277 x H 421 x D 125 mm

Additional models:

HBU 10 P Ivory White (IW), white RAL 9010 Art. No. 1413345
HBU 10 P Midnight (MN), matte black RAL 9005 Art. No. 1422885

Additional RAL Classic colours available upon request.

Description for tender HBU 18

SanTRAL® Classic HBU 18 E Steel Touch (ST)
Art. No. 909700

. . . Pcs. Hygiene waste bin, 18 liter,
brushed stainless steel with Ophardt Hygiene
Anti-Fingerprint-Coating (AFP),
internal bag holder,
compartmentalised stainless steel lid,
for wall-mounting and free-standing
Dimensions: W 275 x H 501 x D 179 mm

Additional models:

HBU 18 P Ivory White (IW), white RAL 9010 Art. No. 852600
HBU 18 P Midnight (MN), matte black RAL 9005 Art. No. 1422888

Additional RAL Classic colours available upon request.

Product: **SanTRAL® Classic**
Manufacturer: OPHARDT HYGIENE-TECHNIK GmbH + Co. KG

Compatible accessories

- ▶ **HBU 10:** PB 1, grey plastic bags, 4 x 50 pcs.,
Art. No. 461500
- ▶ **HBU 18:** PB 2, grey plastic bags, 4 x 50 pcs.,
Art. No. 506100