

SH E 26

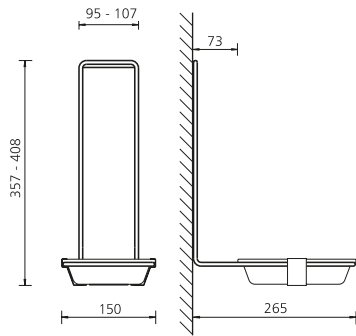
Prevents disinfectant from dripping off hands and onto the floor

Art.-No. 263800



OPHARDT HYGIENE-TECHNIK GmbH + Co. KG
Lindenau 27 | 47611 Issum | Germany
Tel.: +49 (0) 28 35 18-10 | Fax +49 (0) 28 35 18-77
planer@ophardt.com | www.ophardt.com

SH E 26 - SH T 26



Maße in mm - Dimensions in mm



References

hospitals, clinics, retirement/care homes, dental practices, commercial kitchen, food processing areas, laboratories, rescue stations, administration facilities

Usage examples

Passage area, entrance area, Intensive care units, dialysis stations, surgery areas, nursing and examination rooms, clean room, therapy rooms

Technical data

rounded/rectangular drip tray:	rectangular drip tray
Filling volume (ml):	500 ml
Touchless/Manual:	for manual dispensers
for dispensers with table holder:	No
Mounting:	for hanging over the dispenser housing
Warranty:	5 years
Net weight:	0.49 kg
Dimensions (W x H x D) in mm:	150x362x265