

AB 15 A

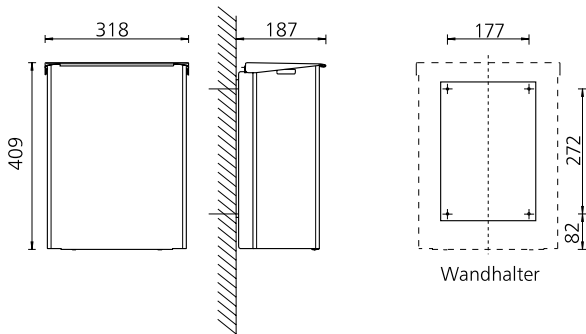
Compact waste bin for wall mounting or stand alone

Art. No. 287300

OPHARDT
HYGIENE

OPHARDT HYGIENE-TECHNIK GmbH
Lindenau 27 | 47661 Issum | Germany
Tel.: +49 (0) 28 35 18-10 | Fax +49 (0) 28 35 18-77
planer@ophardt.com | www.ophardt.com

AB 15



Maße in mm - Dimensions in mm



References

hospitals, clinics, retirement/care homes, dental practices, restaurants, laboratories, rehabilitation facilities, administration facilities

Usage examples

toilets, washrooms, nursing and examination rooms

Technical data

Waste bin type:	enclosed waste bin
Housing:	Aluminium, matte silver anodized
Filling volume (liter):	15 liter
Hygienic bag type:	without bag
Mounting:	Wall mounting with 4 screws and wall plugs
Cleaning:	manual wipe disinfection, not dishwashersafe, not autoclavable
Warranty:	5 years
Dimensions (W x H x D) in mm:	318x409x187