

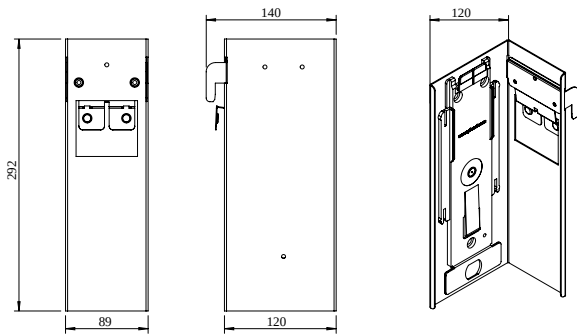
# WPD2 T 25 left

Hygiene dispenser bracket system for standard rail  
Art.-No. 3401234



**OPHARDT HYGIENE-TECHNIK GmbH + Co. KG**  
Lindenau 27 | 47611 Issum | Germany  
Tel.: +49 (0) 28 35 18-10 | Fax +49 (0) 28 35 18-77  
planer@ophardt.com | www.ophardt.com

## WPD2 T links



Maße in mm - Dimensions in mm



## References

hospitals, clinics, retirement/care homes, dental practices

## Usage examples

Intensive care units, dialysis stations, surgery areas, nursing and examination rooms, therapy rooms

## Technical data

Housing:	Stainless steel, brushed
Filling volume (ml):	1000 ml
Wall bracket:	Standard ingo-man® plastic wall plate
Mounting:	parallel left-mounting on the standard rail at the Point-of-Care
Cleaning:	manual wipe disinfection
Warranty:	2 years
Dimensions (W x H x D) in mm:	140x292x89