

disinfection point E ST with wheels

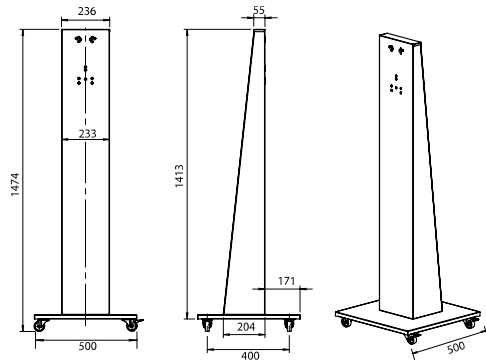
Hygiene stand for effective hand disinfection

Art.-No. 1419274

OPHARDT
HYGIENE

OPHARDT HYGIENE-TECHNIK GmbH + Co. KG
Lindenau 27 | 47611 Issum | Germany
Tel.: +49 (0) 28 35 18-10 | Fax +49 (0) 28 35 18-77
planer@ophardt.com | www.ophardt.com

Desinfektionssäule mit Rädern



Maße in mm - Dimensions in mm



References

shopping centres, conference centres, hospitals, clinics, retirement/care homes, dental practices, commercial kitchen, food processing areas, laboratories, rescue stations, administration facilities

Usage examples

entrance area, reception

Technical data

Type of disinfection stand:	robust disinfection stand
Housing:	Stainless steel, brushed with Anti-Fingerprint-Coating (Steel Touch)
with wheels:	Yes
Warranty:	5 years
Dimensions (W x H x D) in mm:	500x1413x500