

# RX 5 T (1.0 ml Dosage)

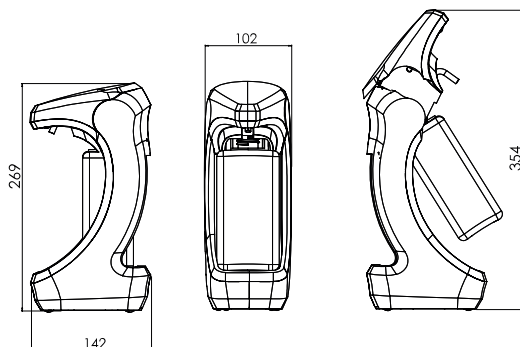
Plastic Euro dispenser for soaps, disinfectants and lotions

Art.-No. 4401736

 **OPHARDT**  
HYGIENE

**OPHARDT HYGIENE-TECHNIK GmbH + Co. KG**  
Lindenau 27 | 47611 Issum | Germany  
Tel.: +49 (0) 28 35 18-10 | Fax +49 (0) 28 35 18-77  
planer@ophardt.com | www.ophardt.com

## RX 5 T



Maße in mm - Dimensions in mm



## References

hospitals, clinics, retirement/care homes, dental practices, fitness and sports centres, restaurants, commercial kitchen, industry, conference centres, laboratories, food processing areas, rehabilitation facilities, rescue stations, administration facilities, kindergardens, schools, shopping centres, train stations, hotels

## Usage examples

reception, Passage area, entrance area, nursing and examination rooms, therapy rooms, kitchens, general wards, offices

## Technical data

Dispenser type:	Euro bottle dispenser
Housing:	Plastic, white
Filling volume (ml):	500 ml
Dosing pump:	long-life plastic pump with straight suction tube
Dosage quantity:	1.0 ml/stroke
Filling good:	Disinfectant, Liquid soaps
Operating type:	Touchless
Power type:	Battery
with drip tray:	No
Batteries:	4x LR14 batteries
Cleaning:	manual wipe disinfection
Warranty:	2 years
Dimensions (W x H x D) in mm:	102x270x142

## Compatible accessories

Stand for RX 5 T	Art.-No. 1422671
Robust stainless steel stand for RX 5 T disinfectant dispenser	
RX 5 T Wall Mount Unit	Art.-No. 4401226
Lockable back plate to mount RX 5 T dispenser on wall	

Please see other accessories in our Online Product Catalogue.