

Bottle UX 40 HDPE

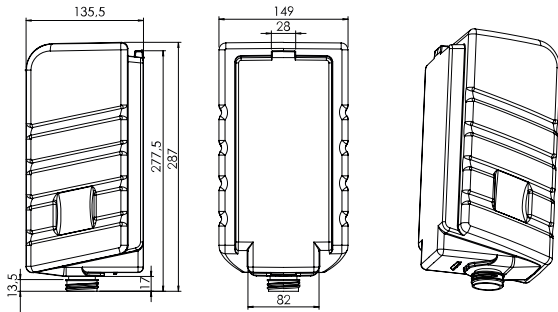
Bottle for the UX hand hygiene dispenser system

Art.-No. 1415403



OPHARDT HYGIENE-TECHNIK GmbH + Co. KG
Lindenau 27 | 47611 Issum | Germany
Tel.: +49 (0) 28 35 18-10 | Fax +49 (0) 28 35 18-77
planer@ophardt.com | www.ophardt.com

UX 40 Flasche



Maße in mm - Dimensions in mm



References

Usage examples

Technical data

Filling volume (ml):	4000 ml
Outer bottle neck diameter:	38 mm
Warranty:	2 years
Net weight:	0.19 kg