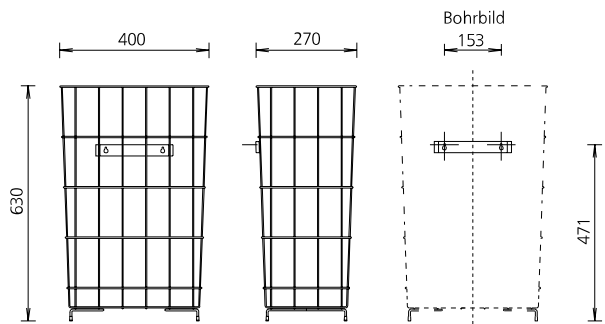


SK 60 E

Compact stainless steel waste bin

Art. No. 705200

SK 60



Maße in mm - Dimensions in mm



References

hospitals, clinics, retirement/care homes, dental practices, restaurants, laboratories, rehabilitation facilities, rescue stations, administration facilities

Usage examples

nursing and examination rooms, general wards, toilets

Technical data

Waste bin type:	open waste bin
Housing:	Stainless steel, electro-polished
Filling volume (liter):	60 liter
Mounting:	With mounting set, with existing hanging brackets
Cleaning:	manual wipe disinfection, not dishwashersafe, not autoclavable
Warranty:	5 years
Dimensions (W x H x D) in mm:	400x630x270