

V IMP T A Touchless

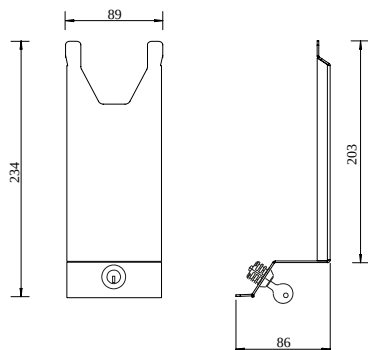
Protect against the theft of dispenser and hand care products

Art.-No. 2400145



OPHARDT HYGIENE-TECHNIK GmbH + Co. KG
Lindenau 27 | 47611 Issum | Germany
Tel.: +49 (0) 28 35 18-10 | Fax +49 (0) 28 35 18-77
planer@ophardt.com | www.ophardt.com

V IMP Touchless



Maße in mm - Dimensions in mm



References

hospitals, clinics, retirement/care homes, dental practices, commercial kitchen, food processing areas, laboratories, rescue stations, administration facilities

Usage examples

Passage area, entrance area, Intensive care units, dialysis stations, surgery areas, nursing and examination rooms, clean room, therapy rooms

Technical data

Housing:	Aluminium, matte silver anodized
Filling volume (ml):	1000 ml
Touchless/Manual:	for touchless dispensers
with/without viewing window:	None
Lock:	Plastic
Cleaning:	manual wipe disinfection
Warranty:	5 years
Dimensions (W x H x D) in mm:	88,9x234x86,1