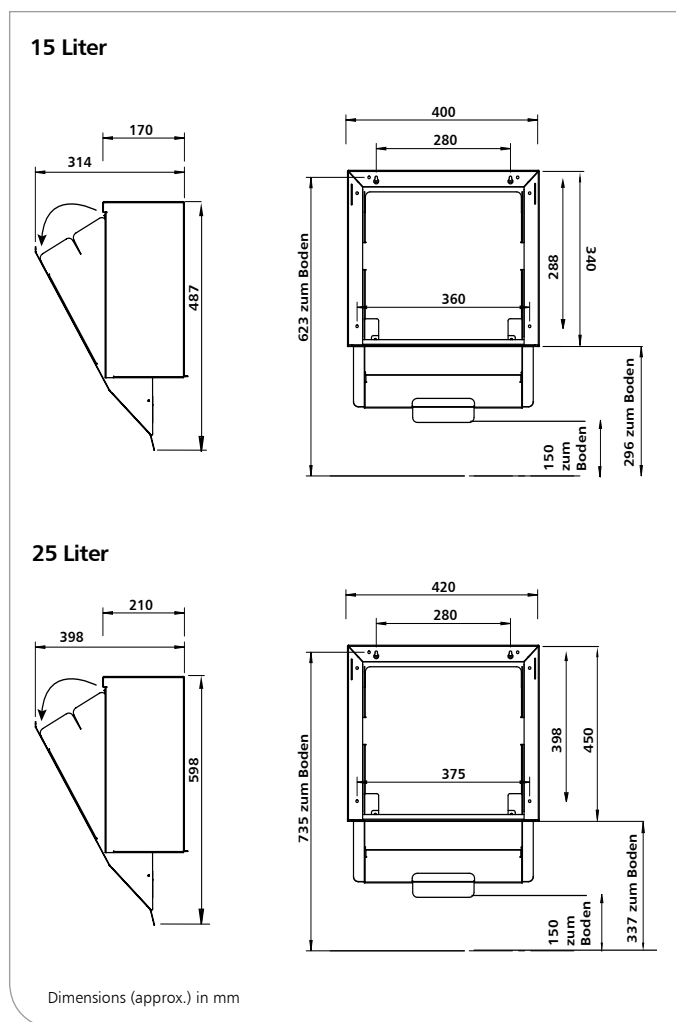


ingo-slide 15 / 25

Hygienic waste bin, hands-free operation, for wall-mounting, stainless steel housing with Anti-Fingerprint-Coating or powder-coated stainless steel housing (RAL 9010, RAL 9005)



Product characteristics

- ▶ Hygienic waste bin with hands-free operation
- ▶ For wall-mounting
- ▶ Open with toe / close with knee
- ▶ Soft-closing
- ▶ Storage for spare rolls of plastic bags
- ▶ Removable inner container (e.g. for cleaning)
- ▶ Hygienic tilt opening/closing for reduced air disturbance

Interesting information

References: hospitals, clinics, retirement/care homes, doctor's offices, laboratories, commercial kitchen, food processing areas, industry, hotels

Application examples: hygiene sensitive areas like medical environments or food processing facilities as well as public washrooms and for mounting on carts and trolleys used for facility management and cleaning

Technical Data

Housing: Stainless steel AISI 304, brushed, with or without Anti-Fingerprint-Coating (AFP) or powder-coated white (RAL 9010) or matte black (RAL 9005)

Volume: 15 liter, 25 liter

Weight: ingo-slide 15: 5,8 kg
ingo-slide 25: 8,3 kg

Filling good: Suitable for plastic waste bag rolls without carry handle with opening at the top (opening towards perforation, not sideways).

Dimensions of the waste bag for ingo-slide 15:
min. 50 cm width and 55 cm height, usual volume 20 liter

Dimensions of the waste bag for ingo-slide 25:
min. 57 cm width and 65 cm height, usual volume 35 liter

Description for tender - see overleaf

ingo-slide 15/25 · 0320/2.0



Subject to technical modifications.



Ophardt Hygiene-Technik GmbH + Co. KG

Lindenau 27 | 47661 Issum | Germany

Tel.: +49 (0) 28 35 18-10 | Fax +49 (0) 28 35 18-77

planer@ophardt.com | www.ophardt.com

ingo-slide 15 / 25

Hygienic waste bin, hands-free operation, for wall-mounting, stainless steel housing with Anti-Fingerprint-Coating or powder-coated stainless steel housing (RAL 9010, RAL 9005)

Description for tender

... Pcs. **ingo-slide 15 E AFP Art. No. 1422612**
ingo-slide 15 E AFP, closed hygienic waste bin, container with cushioned soft-close feature, toe/knee operation, 15 liter, stainless steel, with Anti-Fingerprint-Coating, poly bag protection, integrated storage for spare rolls of plastic bags, removable container, for wall mounting only, hygienic tilt opening/closing for reduced air disturbance
Dimensions: W 400 x H 487 x D 170 mm

... Pcs. **ingo-slide 15 E Art. No. 1422753**
ingo-slide 15 E, closed hygienic waste bin, container with cushioned soft-close feature, toe/knee operation, 15 liter, stainless steel, poly bag protection, integrated storage for spare rolls of plastic bags, removable inner container, for wall mounting only, hygienic tilt opening/closing for reduced air disturbance
Dimensions: W 400 x H 487 x D 170 mm

... Pcs. **ingo-slide 15 P white Art. No. 1422613**
ingo-slide 15 P, closed hygienic waste bin, container with cushioned soft-close feature, toe/knee operation, 15 liter, stainless steel, powder-coated white (RAL 9010), poly bag protection, integrated storage for spare rolls of plastic bags, removable container, for wall mounting only, hygienic tilt opening/closing for reduced air disturbance
Dimensions: W 400 x H 487 x D 170 mm

... Pcs. **ingo-slide 15 P Midnight Art. No. 1422845**
ingo-slide 15 P Midnight, closed hygienic waste bin, container with cushioned soft-close feature, toe/knee operation, 15 liter, stainless steel, powder-coated matte black (RAL 9005), poly bag protection, integrated storage for spare rolls of plastic bags, removable container, for wall mounting only, hygienic tilt opening/closing for reduced air disturbance
Dimensions: W 400 x H 487 x D 170 mm

... Pcs. **ingo-slide 25 E AFP Art. No. 1422614**
ingo-slide 25 E AFP, closed hygienic waste bin, container with cushioned soft-close feature, toe/knee operation, 25 liter, stainless steel, with Anti-Fingerprint-Coating, poly bag protection, integrated storage for spare rolls of plastic bags, removable container, for wall mounting only, hygienic tilt opening/closing for reduced air disturbance
Dimensions: W 420 x H 598 x D 210 mm

... Pcs. **ingo-slide 25 E Art. No. 1422754**
ingo-slide 25 E, closed hygienic waste bin, container with cushioned soft-close feature, toe/knee operation, 25 liter, stainless steel, poly bag protection, integrated storage for spare rolls of plastic bags, removable inner container, for wall mounting only, hygienic tilt opening/closing for reduced air disturbance
Dimensions: W 420 x H 598 x D 210 mm

... Pcs. **ingo-slide 25 P white Art. No. 1422615**
ingo-slide 25 P, closed hygienic waste bin, container with cushioned soft-close feature, toe/knee operation, 25 liter, stainless steel, powder-coated white (RAL 9010), poly bag protection, integrated storage for spare rolls of plastic bags, removable container, for wall mounting only, hygienic tilt opening/closing for reduced air disturbance
Dimensions: W 420 x H 598 x D 210 mm

... Pcs. **ingo-slide 25 P Midnight Art. No. 1422844**
ingo-slide 25 P Midnight, closed hygienic waste bin, container with cushioned soft-close feature, toe/knee operation, 25 liter, stainless steel, powder-coated matte black (RAL 9005), poly bag protection, integrated storage for spare rolls of plastic bags, removable container, for wall mounting only, hygienic tilt opening/closing for reduced air disturbance
Dimensions: W 420 x H 598 x D 210 mm

Product:
Manufacturer:

ingo-man®
OPHARDT HYGIENE-TECHNIK GmbH + Co. KG