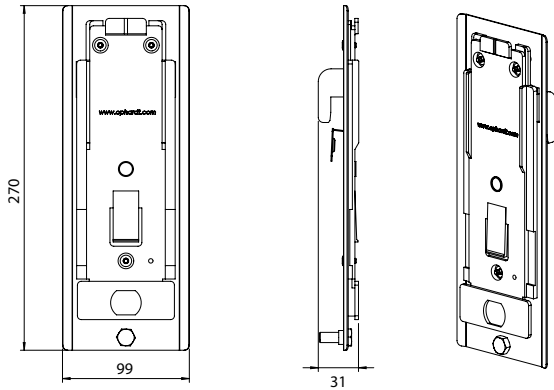


# WH D3

bracket system for 10 x 25 mm standard rail, stainless steel, for installing 500 ml and 1000 ml dispensers with ingo-man® back plate, space-saving

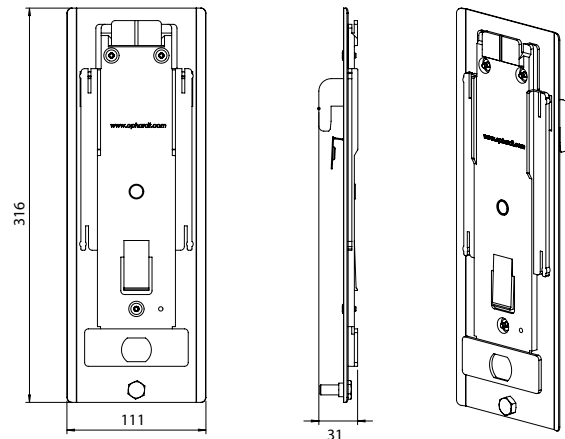


## WH D3 E 25 - 500 ml



Dimensions (approx.) in mm

## WH D3 T 25 - 1000 ml



Dimensions (approx.) in mm

### Product characteristics

- ▶ Dispenser bracket for 10 x 25 mm standard rail
- ▶ For 500 ml and 1000 ml dispensers with ingo-man® back plate (ingo-man® plus, ingo-man® classic, RX 5/10, ER T, LCP E/T)

### Interesting information

References: ▶ Hospitals, clinics, doctors' practices, medical facilities, laboratories, rescue centers, industrial kitchens, food industry

Application examples:

- ▶ Especially suitable for patient beds in clinics, doctors' practices, health care and nursing homes

### Technical data

Bracket: Stainless steel, brushed  
 Installation: Mounting on the standard rail close to the patient; slide the top of the holding solution on the standard rail, swing the bottom piece toward the rail until it fits into place, secured through spring plastic  
 Back plate: Mounted on the standard rail  
 Weight: WH D3 E 25: 290 g  
 WH D3 T 25: 375 g

### Description for tender

**ingo-man® WH D3 E 25 Art. No. 1423149**  
 . . . Pcs. Dispenser bracket for 25 x 10 mm standard rail, brushed stainless steel, for 500 ml ingo-man® dispensers and dispensers of the RX 5 T/M and LCP E Series, for mounting near to the patient on the standard rail at the "Point-of-Care"  
 Dimensions: W 99 x H 270 x D 31 mm

**ingo-man® WH D3 T 25 Art. No. 1423150**  
 . . . Pcs. Dispenser bracket for 25 x 10 mm standard rail, brushed stainless steel, for 1000 ml ingo-man® dispensers and dispensers of the RX 10, LCP T and ER T Series, for mounting near to the patient on the standard rail at the "Point-of-Care"  
 Dimensions: W 111 x H 316 x D 31 mm

Product: **ingo-man®**  
 Manufacturer: OPHARDT HYGIENE-TECHNIK GmbH + Co. KG



Subject to technical modifications.



OPHARDT HYGIENE-TECHNIK GmbH + Co. KG  
 Lindenau 27 | 47661 Issum | Germany  
 Tel.: +49 (0) 28 35 18-10 | Fax +49 (0) 28 35 18-77  
 planer@ophardt.com | www.ophardt.com