

UDU 5 M E/D ST

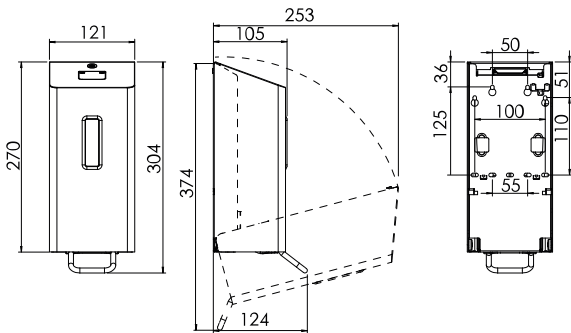
Manual universal dispenser with open refill system

Art.-No. 1423530



OPHARDT HYGIENE-TECHNIK GmbH + Co. KG
Lindenau 27 | 47611 Issum | Germany
Tel.: +49 (0) 28 35 18-10 | Fax +49 (0) 28 35 18-77
planer@ophardt.com | www.ophardt.com

UDU 5 X10 Manual



Maße in mm - Dimensions in mm



References

airports, train stations, schools, kindergardens, hotels, restaurants, commercial kitchen, food processing areas, prisons, exhibitions, conference centres, shopping centres, fitness and sports centres, industry, laboratories, administration facilities

Usage examples

washrooms, toilets, baths, nursing and examination rooms, kitchens, production facilities, entrance area

Technical data

Dispenser type:	refillable dispenser
Housing:	Stainless steel, brushed with Anti-Fingerprint-Coating (Steel Touch)
Filling volume (ml):	600 ml
Dosing pump:	long-life plastic spray pump
Dosage quantity:	0.6 / 1.0 / 1.4 ml/stroke
Filling good:	Disinfectant
Operating type:	Stainless steel lever
with/without viewing window:	Clear
with drip tray:	No
Lock:	SanTRAL vandalism-proof lock, plastic
Mounting:	Wall mounting with 4 screws and wall plugs, recommended distance to the countertop min. 15 cm
Cleaning:	manual wipe disinfection
Warranty:	5 years
Net weight:	1.41 kg
Dimensions (W x H x D) in mm:	121x304x124

Compatible accessories

disinfection point SanTRAL	Art.-No. 1423337
High-quality hygiene stand for effective hand disinfection	
disinfection point with wheels SanTRAL	Art.-No. 1423338
High-quality hygiene stand with rolls for effective hand disinfection	

Please see other accessories in our Online Product Catalogue.