

disinfection point SanTRAL

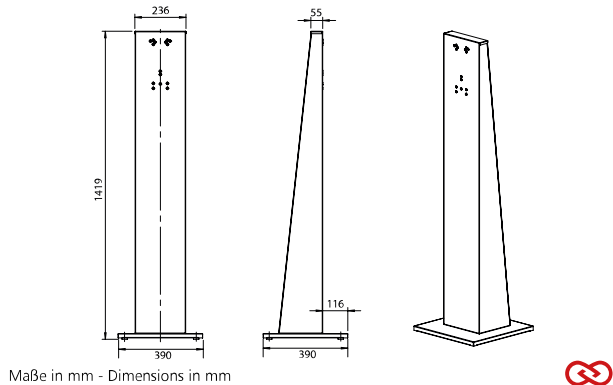
High-quality hygiene stand for effective hand disinfection

Art.-No. 1423337

 **OPHARDT**
HYGIENE

OPHARDT HYGIENE-TECHNIK GmbH + Co. KG
Lindenau 27 | 47611 Issum | Germany
Tel.: +49 (0) 28 35 18-10 | Fax +49 (0) 28 35 18-77
planer@ophardt.com | www.ophardt.com

Desinfektionssäule



References

train stations, airports, schools, kindergardens, hotels, restaurants, commercial kitchen, food processing areas, exhibitions, conference centres, shopping centres, fitness and sports centres, industry, laboratories, administration facilities

Usage examples

washrooms, entrance area, Passage area

Technical data

Type of disinfection stand:	robust disinfection stand
Housing:	Stainless steel, brushed
with wheels:	No
operating height:	standard operating height of 120 cm
Warranty:	5 years
Dimensions (W x H x D) in mm:	390x1419x390