

IMP XLS E/30 ST for liquids

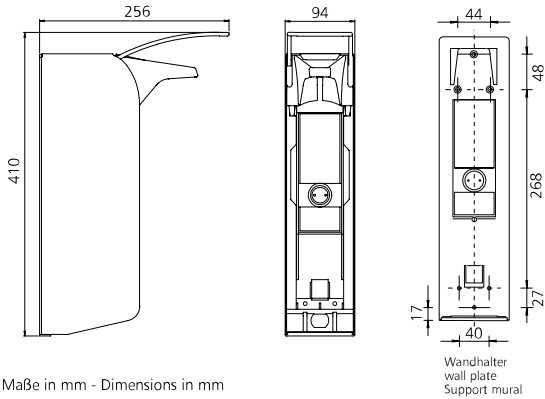
Euro dispenser with pump front removal for soaps and disinfectants

Art.-No. 4403453

OPHARDT
HYGIENE

OPHARDT HYGIENE-TECHNIK GmbH + Co. KG
Lindenau 27 | 47611 Issum | Germany
Tel.: +49 (0) 28 35 18-10 | Fax +49 (0) 28 35 18-77
planer@ophardt.com | www.ophardt.com

IMP XLS



References

hospitals, clinics, retirement/care homes, dental practices, fitness and sports centres, restaurants, commercial kitchen, industry, conference centres, laboratories, food processing areas, rehabilitation facilities, rescue stations, administration facilities

Usage examples

Passage area, entrance area, Intensive care units, dialysis stations, surgery areas, nursing and examination rooms, clean room, therapy rooms

Technical data

Dispenser type:	Euro bottle dispenser
Housing:	Stainless steel, brushed with Anti-Fingerprint-Coating (Steel Touch)
Face shield:	Plastic, white
Filling volume (ml):	2500 ml
Dosing pump:	long-life stainless steel pump with bent suction tube
Dosage quantity:	1.5 / 2.0 / 2.5 / 3.0 ml/stroke
Filling good:	Disinfectant, Liquid soaps
Operating type:	Stainless steel lever, Long operating stainless steel lever
Wall bracket:	Standard ingo-man® plastic wall plate
Mounting:	Wall mounting with 3 screws and wall plugs
Cleaning:	pump dishwashersafe and autoclavable up to 134° C, 2 bar
Warranty:	5 years
Net weight:	2.222 kg
Dimensions (W x H x D) in mm:	94x410x256