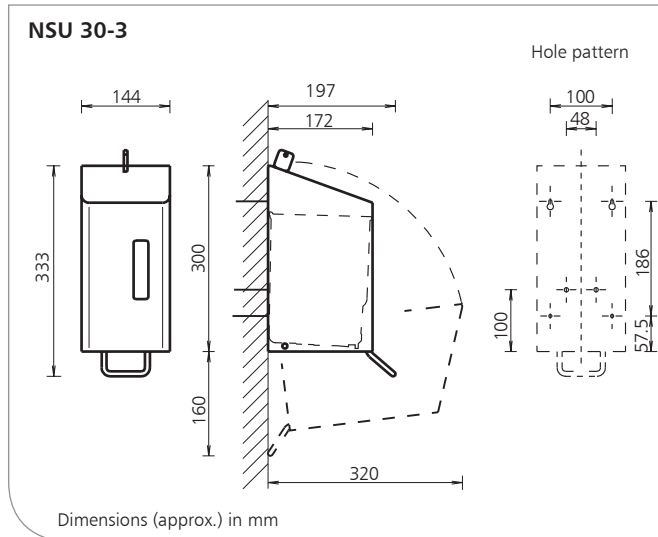


NSU 30-3

Dispenser for liquid soaps and pourable hand cleaners with and without grit, stainless steel (AFP) or powder-coated, 3000 ml



Product characteristics

- ▶ Dispenser for liquid soaps and pourable hand cleaners with and without grit
- ▶ Refillable soap dispenser with 3000 ml volume plus overflow quantity
- ▶ Housing with sloped lid to prevent foreign objects being placed on the dispenser
- ▶ High-quality and robust stainless steel housing
- ▶ Hygienic and easy-to-clean stainless steel operating lever
- ▶ Plastic lock with anti-vandalism function
- ▶ Press-actuation protects the wall attachment
- ▶ Dispensing quantity approx. 3.0 ml/stroke
- ▶ Easily filled from above
- ▶ Open without wall contact
- ▶ Container easily removed for cleaning
- ▶ Viewing window to check fill level
- ▶ Incl. mounting kit for four-point wall mounting

Interesting information

References:

- ▶ Conference centres, exhibitions, airports, train stations, catering, retirement/care homes, hospitals, laboratories, commercial kitchen, food processing, industry, shopping centres, hotels, correctional facilities, schools, kindergartens, sports centres, administration facilities

Application examples:

- ▶ Washrooms, toilets, baths, care and examination rooms, kitchens, production facilities, entrance areas

Technical data

Housing:	Stainless steel AISI 304, brushed with Anti-Fingerprint-Coating (AFP), powder-coated white (RAL 9010) or powder-coated matte black (RAL 9005)
Operating lever:	Stainless steel AISI 304
Viewing window:	Transparent plastic
Dosing pump:	for liquid soaps and fluid hand cleaners with and without grit, dispensing quantity 3.0 ml/stroke,
Lock:	Vandalism-proof lock, plastic
Wall mounting:	Wall mounting with 4 screws and wall plugs
Weight:	2,3 kg

Description for tender - see overleaf

NSU 30-3/0121/2.0



Subject to technical modifications.
Product compatibility testing required before
new filling materials are used!



OPHARDT HYGIENE-TECHNIK GmbH + Co. KG
Lindenau 27 | 47661 Issum | Germany
Tel.: +49 (0) 28 35 18-10 | Fax +49 (0) 28 35 18-77
planer@ophardt.com | www.ophardt.com

NSU 30-3

Dispenser for liquid soaps and pourable hand cleaners with and without grit, stainless steel (AFP) or powder-coated, 3000 ml

Description for tender

SanTRAL® Classic NSU 30-3 E Steel Touch (ST)

Art. No. 1411078

. . . Pcs.

Dispenser for liquid soaps and pourable hand cleaners with grit, 3000 ml, brushed stainless steel housing with OPHARDT Hygiene Anti-Fingerprint-Coating (AFP), stainless steel back plate, stainless steel operating lever, press-actuation, with vandalism-proof lock, viewing window for monitoring filling level, removable refillable container, free choice of manufacturers for refill materials, housing with sloped lid to prevent foreign objects being placed on the dispenser
Dimensions: W 144 x H 333 x D 197 mm

Additional models:

NSU 30-3 P Ivory White (IW), white RAL 9010 Art. No. 225300

NSU 30-3 P Midnight (MN), matte black RAL 9005 Art. No. 1422866

Additional RAL Classic colours available upon request.

Product: **SanTRAL® Classic**

Manufacturer: OPHARDT HYGIENE-TECHNIK GmbH + Co. KG