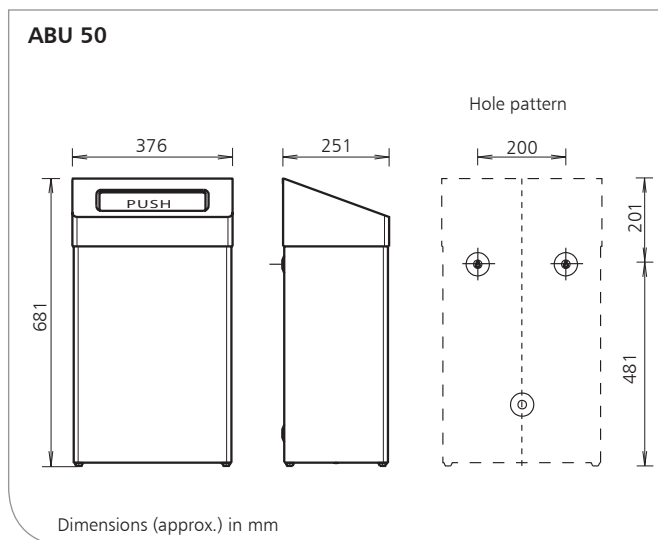
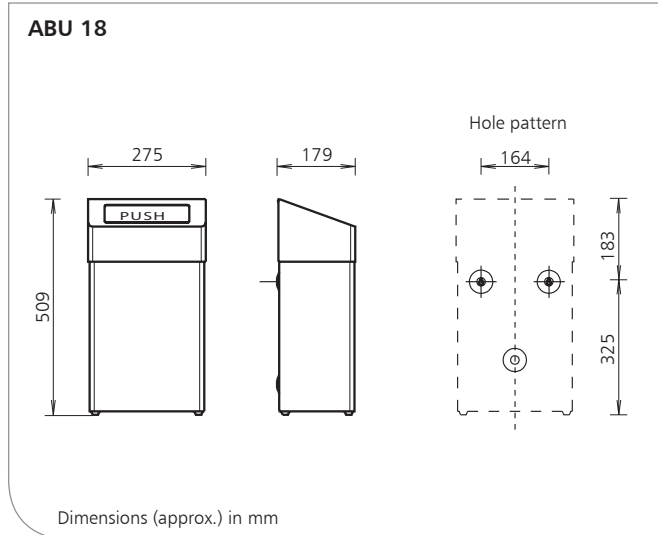


ABU 18 - ABU 50

Closed waste bin, with self-closing, maintenance-free lid, stainless steel (AFP) or powder-coated, 18 liter and 50 liter



Product characteristics

- ▶ Waste bin with internal bag holder for hidden fastening of the waste bag
- ▶ Housing with sloping lid to prevent foreign objects being placed on the dispenser
- ▶ High-quality and robust stainless steel housing
- ▶ With self-closing, maintenance-free lid
- ▶ Hygienically smooth and easy-wipe surfaces
- ▶ For wall-mounting or free-standing
- ▶ Head section can be removed to replace the waste bag
- ▶ Incl. mounting kit for two-point wall mounting

Interesting information

References: ▶ Conference centres, exhibitions, airports, train stations, catering, retirement/care homes, hospitals, laboratories, commercial kitchen, food processing, industry, shopping centres, hotels, correctional facilities, schools, kindergartens, sports centres, administration facilities

Application examples:

- ▶ Washrooms, toilets, baths, care and examination rooms, kitchens, entrance areas

Technical data

Container: Stainless steel AISI 304, brushed with Anti-Fingerprint-Coating (AFP), powder-coated white (RAL 9010) or powder-coated matte black (RAL 9005)

Capacity: 18 liter (ABU 18), 50 liter (ABU 50)

Wall mounting: Wall mounting with 2 screws and wall plugs

Description for tender - see overleaf

ABU 18 - ABU 50/0121/2.0



Subject to technical modifications.



OPHARDT HYGIENE-TECHNIK GmbH + Co. KG
 Lindenau 27 | 47661 Issum | Germany
 Tel.: +49 (0) 28 35 18-10 | Fax +49 (0) 28 35 18-77
 planer@ophardt.com | www.ophardt.com

ABU 18 - ABU 50

Closed waste bin, with self-closing, maintenance-free lid,
stainless steel (AFP) or powder-coated, 18 liter and 50 liter

Description for tender ABU 18

SanTRAL® Classic ABU 18 E Steel Touch (ST)
Art. No. 1417450

... Pcs. Waste bin, 18 liter, brushed stainless steel with
Ophardt Hygiene Anti-Fingerprint-Coating (AFP),
self-closing, maintenance-free lid,
internal bag holder,
for wall-mounting and free-standing
Dimensions: W 275 x H 509 x D 179 mm

Additional models:

ABU 18 P Ivory White (IW), white RAL 9010 Art. No. 1417451
ABU 18 P Midnight (MN), matte black RAL 9005 Art. No. 1422886

Additional RAL Classic colours available upon request.

Description for tender ABU 50

SanTRAL® Classic ABU 50 E Steel Touch (ST)
Art. No. 3400245

... Pcs. Waste bin, 50 liter, brushed stainless steel with
Ophardt Hygiene Anti-Fingerprint-Coating (AFP),
self-closing, maintenance-free lid,
internal bag holder,
for wall-mounting and free-standing
Dimensions: W 376 x H 681 x D 251 mm

Additional models:

ABU 50 P Ivory White (IW), white RAL 9010 Art. No. 3400246
ABU 50 P Midnight (MN), matte black RAL 9005 Art. No. 1422237

Additional RAL Classic colours available upon request.

Product: **SanTRAL® Classic**
Manufacturer: OPHARDT HYGIENE-TECHNIK GmbH + Co. KG

Compatible accessories

- ▶ **ABU 18:** PB 2, grey plastic bags, 4 x 50 pcs.,
Art. No. 506100
- ▶ **ABU 50:** PB 4, white plastic bags, 4 x 50 pcs.,
Art. No. 128100